

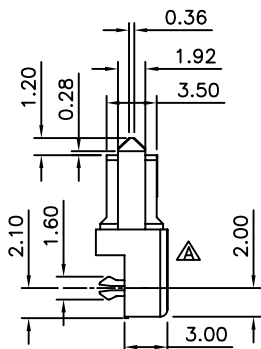
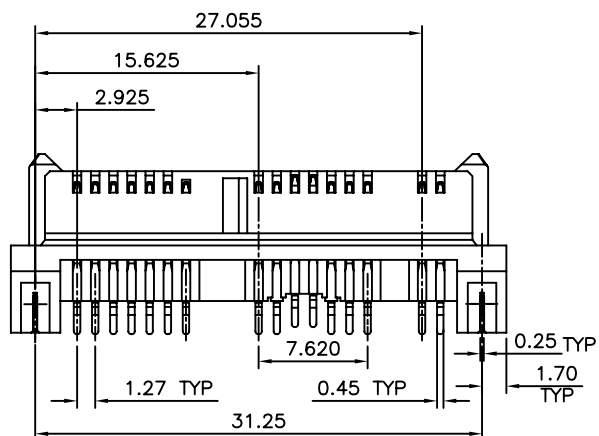
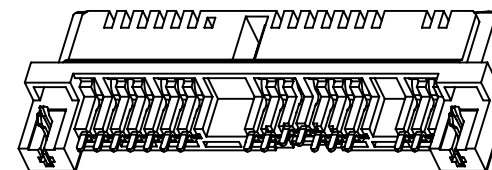
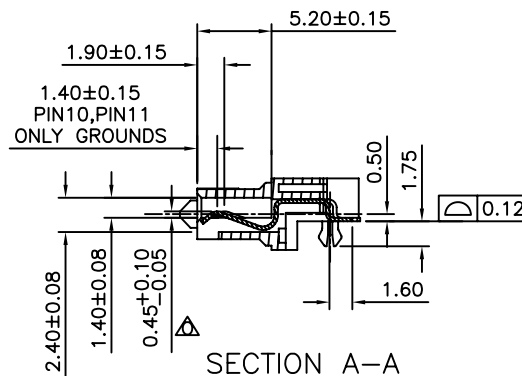
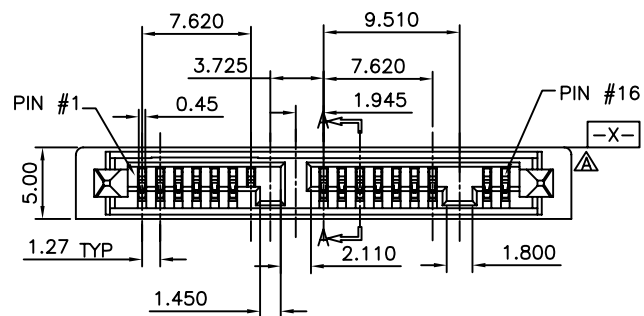
WITH COVER DRAWING

NOTES:

1. MATERIAL:
 - 1.1 HOUSING: THERMOPLASTIC, HIGH TEMP., UL94V-0; COLOR:BLACK.
 - 1.2 CONTACT: COPPER ALLOY
 - 1.3 BOARD LOCK: BRASS
2. FINISH:
 - 2.1 CONTACT:
 - TERMINAL: GOLD PLATING PLS REFER TO ORDER INFORMATION.
 - 100u" MIN. TIN PLATING ON SOLDER TAILS,
 - 50u" MIN. NICKEL UNDERPLATING OVERALL.
 - BOARD LOCK: 150u" MIN. TIN PLATING ON SOLDER TAILS,
 - 80u" MIN. NICKEL UNDERPLATING OVERALL.
3. REFLOW SOLDER CAPABLE TO 260° C PER ACES SPEC.
- △ 4. SPEC. PLS. REFER TO PS-50800-XXXX-XXX
- △ 5. PACKAGE PLS. REFER TO 50841-XXXX-TRP
6. PART NUMBER

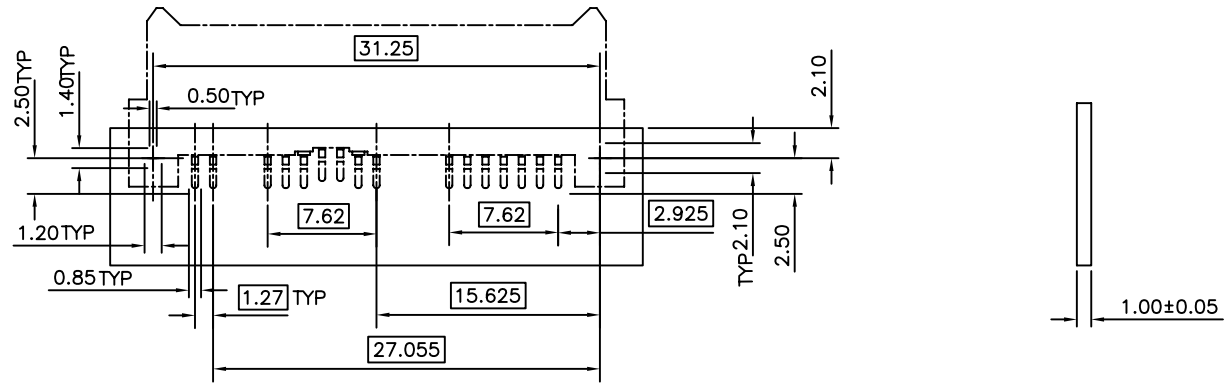
50841-XXX	X	X-XXX
NO OF CKT	XXX	HOUSING MATERIAL&COLOR
016 : 16PIN		Halogen Free
PACKING	001	LCP&Black
7:TAPE & REEL WITH COVER PLATING		Y

P: GOLD FLASH(1~3u") PLATING ON CONTACT FOR LEAD-FREE (MATT TIN)

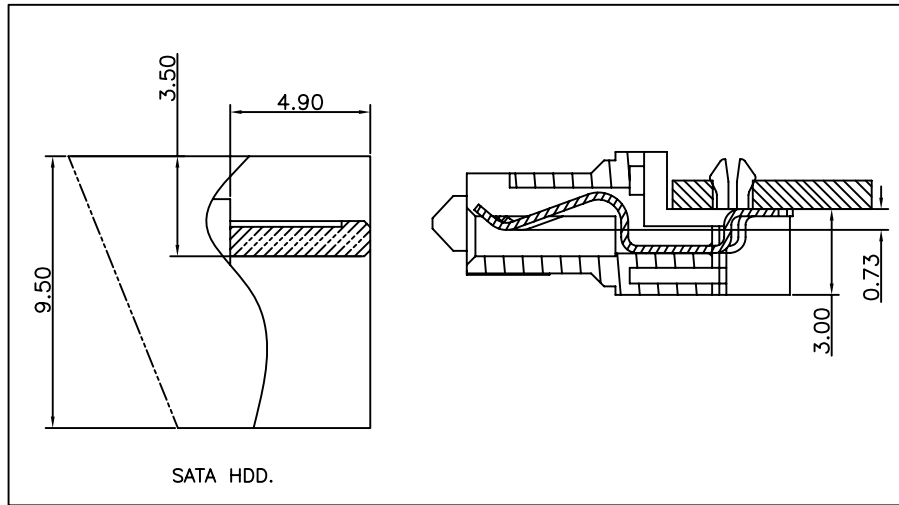


A	ECR-0902067外形加R角(ECN-0903044)	09'3/6	RING
O	COMPLETED PDR970413(ECN-0902203)	09'02/12	RING
REV	REVISION DESCRIPTION	DATE	SIGNATURE

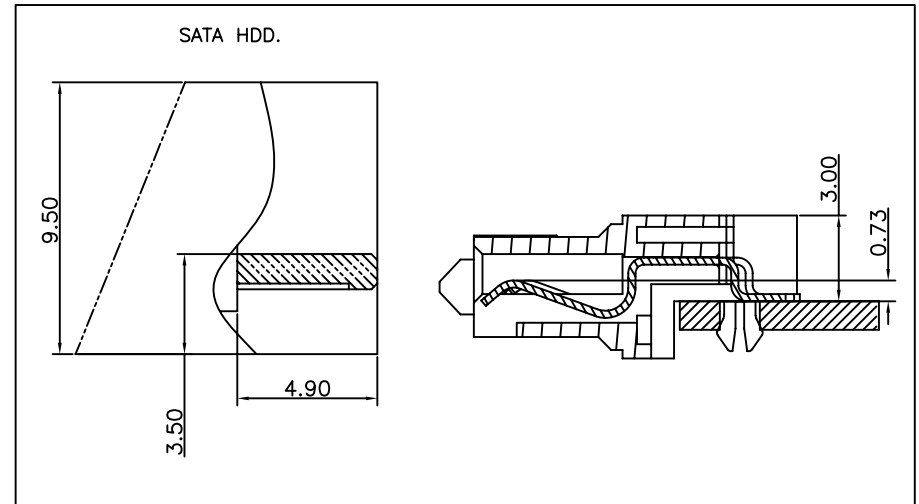
一般公差 TOLERANCES X ±0.5 XX ±0.15 X ±0.25 XXX ±0.1 ANGLES ±2°		宏致電子股份有限公司 Aces Electronic Co.,Ltd.	
檢驗尺寸標示 SYMBOLS ⊕ ⊕ INDICATE CLASSIFICATION DIMENSION ⊕ MARK IS CRITICAL DIM. ⊕ MARK IS MAJOR DIM.	品名 (TITLE) 1.27mm PITCH MICRO SATA RCPT.CONN H=0.5MM SMT R/A TYPE 圖號 (DWG.NO) 50841-XXXX-XXX	製圖 (DR) Ring 08/11/27 審核 (CHKD) SAM 核准 (APPD) JASON	
表面處理 (FINISH)	比例 (SCALE) 單位 (UNITS) 2:1 mm	張數 (SHEET) 1 OF 2 尺寸 (SIZE) A4 版 (REV) A	



RECOMMENDED PCB LAYOUT
GENERAL TOLERANCE ± 0.05



TOP MOUNT WITH SATA HDD. REV.
MATING DRAWING



BOTTOM MOUNT WITH SATA HDD. NORMAL
MATING DRAWING

一般公差 TOLERANCES X ± 0.5 XX ± 0.15 X ± 0.25 .XXX ± 0.1 ANGLES $\pm 2^\circ$		宏致電子股份有限公司 Aces Electronic Co.,Ltd.	
檢驗尺寸標示 SYMBOLS C M INDICATE CLASSIFICATION DIMENSION		品名 (TITLE) 1.27mm PITCH MICRO SATA RCPT.CONN H=0.5MM SMT R/A TYPE	
C MARK IS CRITICAL DIM. M MARK IS MAJOR DIM.		圖號 (DWG.NO) 50841-XXXXX-XXX	
表面處理 (FINISH)		比例 (SCALE) 單位 (UNITS) 2:1 mm	
製圖 (DR) Ring 08/12/10 審核 (CHKD) SAM 核准 (APPD) JASON		張數 (SHEET) 2 OF 2 尺寸 (SIZE) A4 版次 (REV) A	

SEE SHEET1	日期	申請人
REVISION DESCRIPTION	DATE	SIGNATURE